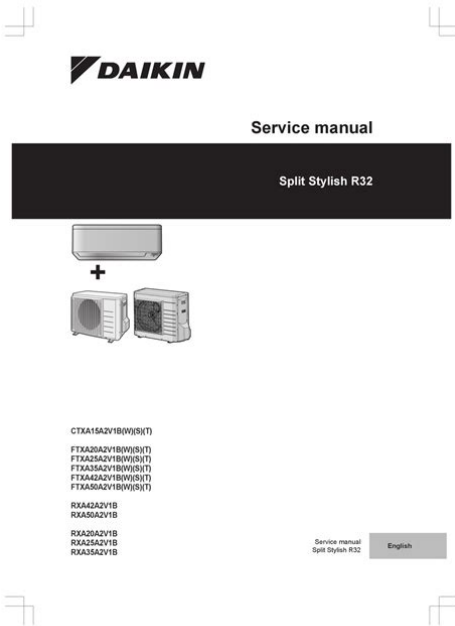


Daikin Ft 60 Manual



File Name: Daikin Ft 60 Manual.pdf

Size: 1732 KB

Type: PDF, ePub, eBook

Category: Book

Uploaded: 14 May 2019, 15:36 PM

Rating: 4.6/5 from 824 votes.

Status: AVAILABLE

Last checked: 19 Minutes ago!

In order to read or download Daikin Ft 60 Manual ebook, you need to create a FREE account.

[**Download Now!**](#)

eBook includes PDF, ePub and Kindle version

[Register a free 1 month Trial Account.](#)

[Download as many books as you like \(Personal use\)](#)

[Cancel the membership at any time if not satisfied.](#)

[Join Over 80000 Happy Readers](#)

Book Descriptions:

We have made it easy for you to find a PDF Ebooks without any digging. And by having access to our ebooks online or by storing it on your computer, you have convenient answers with Daikin Ft 60 Manual . To get started finding Daikin Ft 60 Manual , you are right to find our website which has a comprehensive collection of manuals listed.

Our library is the biggest of these that have literally hundreds of thousands of different products represented.



Book Descriptions:

Daikin Ft 60 Manual



Browse through our list of operation manuals or enter your search below to find the right manual for you. Please upgrade your browser for a better experience. X Please upgrade your browser for a better experience. Upgrade your browser today. All indoor units can individually be operated within the same mode. This function is also energy saving. All indoor units can individually be operated within the same heating or cooling mode. http://www.konfil.pl/user_uploads/file/canon-l350-fax-manual.xml

- **daikin ft 60 manual, daikin ft 60 manual, daikin ft 60 manual pdf, daikin ft 60 manual download, daikin ft 60 manual instructions, daikin ft 60 manual transmission.**

DAIKIN

R410A

TECHNICAL MANUAL

Split Unit Air Conditioner
Ceiling Cassette C & E Series

FCQN-E, FFQN-C, FCRN-E, FFRN-C

— Cooling only & Heatpump [50Hz] —



<http://garantc.ru/userfiles/canon-laser-3170-manual.xml>

DAIKIN

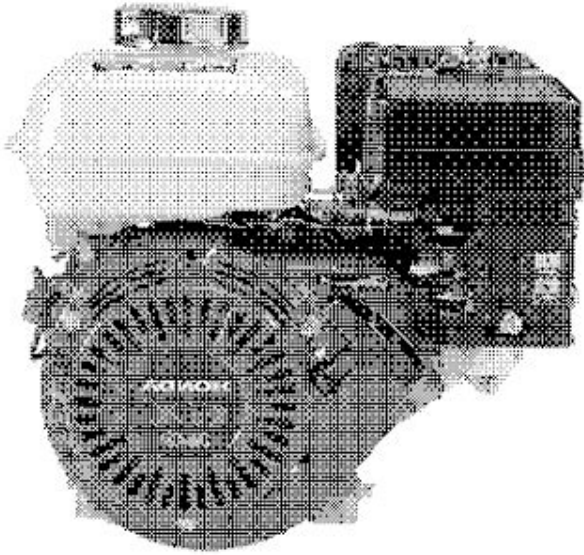
SIBE04 - 705

Service
Manual

Inverter Pair
Wall Mounted Type D-Series
F-Series



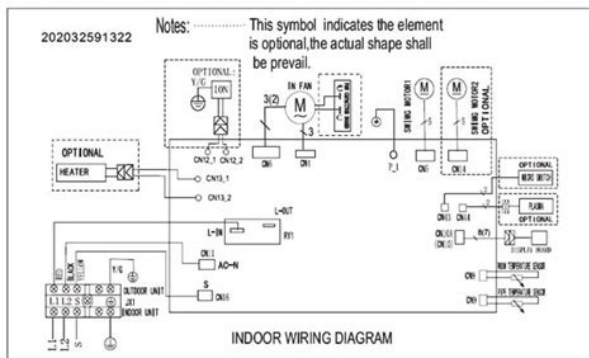
- [Applied Models]
- Inverter Pair : Cooling Only
 - Inverter Pair : Heat Pump
 - Non-Inverter Pair : Cooling Only
 - Non-Inverter Pair : Heat Pump



<http://ninethreefox.com/?q=node/14837>

Indoor Unit

9000 BTU, 230V, Heat Pump / 12000 BTU, 230V, Cool Only / 12000 BTU, 230V, Heat Pump





<https://www.yoursurveysurveyors.co.uk/wp-content/plugins/formcraft/file-upload/server/content/files/1628acced399ff--Canon-mv800i-manual.pdf>

<https://www.interactivelearnings.com/forum/selenium-using-c/topic/17644/boss-me-50-manual-pdf-es-pa-ol>